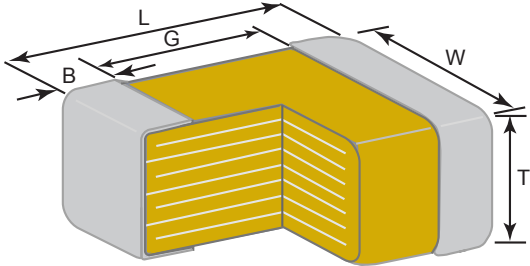
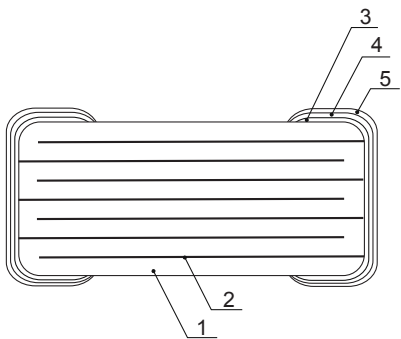


TDK MLCC Datasheet¹

TDK P/N **C4532** **X7R** **2A** **225** **M** **T** **XXXX**
1) 2) 3) 4) 5) 6) 7)

No.	Segment	Detail	Comments
1	Case Size	4.5 x 3.2 mm	See below for dimensions.
2	Temperature Characteristics	-55+125°C ± 15%	Class II ; Conforms to EIA 198
3	Rated Voltage	100V	DC
4	Capacitance	2200000 pF	1.0 ± 0.2 Vrms , 1kHz ± 10%
5	Capacitance Tolerance	± 20%	Conforms to IEC 384-9
6	Packaging Style	Tape and Reel	EIA 481 Format
7	TDK internal Code	XXXX	(Internal TDK use only)
-	Dissipation Factor (DF)	0.03 max.	1.0 ± 0.2 Vrms , 1kHz ± 10%
-	Insulation Resistance	227 M min.	apply rated voltage for 60s

Physical Dimensions	Material System																																																								
																																																									
<table border="1" style="width: 100%; text-align: center;"> <thead> <tr> <th>Symbol</th> <th>Dimensions (mm)</th> </tr> </thead> <tbody> <tr> <td>L</td> <td>4.5 ± 0.4</td> </tr> <tr> <td>W</td> <td>3.2 ± 0.4</td> </tr> <tr> <td>T</td> <td>2.3 ± 0.2</td> </tr> <tr> <td>B</td> <td>0.2 min.</td> </tr> <tr> <td>G</td> <td>2.0 min.</td> </tr> </tbody> </table>	Symbol	Dimensions (mm)	L	4.5 ± 0.4	W	3.2 ± 0.4	T	2.3 ± 0.2	B	0.2 min.	G	2.0 min.	<table border="1" style="width: 100%; text-align: center;"> <thead> <tr> <th rowspan="2">No.</th> <th rowspan="2">Name</th> <th colspan="4">Material</th> </tr> <tr> <th colspan="2">Class I</th> <th colspan="2">Class II</th> </tr> <tr> <td></td> <td></td> <td>Pd</td> <td>TME</td> <td>Pd</td> <td>TME</td> </tr> </thead> <tbody> <tr> <td>1</td> <td>Dielectric</td> <td>TiO2</td> <td>CaZrO3</td> <td colspan="2">BaTiO3</td> </tr> <tr> <td>2</td> <td>Electrode</td> <td>Pd</td> <td>Ni</td> <td>Pd</td> <td>Ni</td> </tr> <tr> <td>3</td> <td rowspan="3">Termination</td> <td>Ag or Ag/Pd</td> <td>Cu</td> <td>Ag or Ag/Pd</td> <td>Cu</td> </tr> <tr> <td>4</td> <td colspan="4">Ni</td> </tr> <tr> <td>5</td> <td colspan="4">Sn</td> </tr> </tbody> </table>	No.	Name	Material				Class I		Class II				Pd	TME	Pd	TME	1	Dielectric	TiO2	CaZrO3	BaTiO3		2	Electrode	Pd	Ni	Pd	Ni	3	Termination	Ag or Ag/Pd	Cu	Ag or Ag/Pd	Cu	4	Ni				5	Sn			
Symbol	Dimensions (mm)																																																								
L	4.5 ± 0.4																																																								
W	3.2 ± 0.4																																																								
T	2.3 ± 0.2																																																								
B	0.2 min.																																																								
G	2.0 min.																																																								
No.	Name	Material																																																							
		Class I		Class II																																																					
		Pd	TME	Pd	TME																																																				
1	Dielectric	TiO2	CaZrO3	BaTiO3																																																					
2	Electrode	Pd	Ni	Pd	Ni																																																				
3	Termination	Ag or Ag/Pd	Cu	Ag or Ag/Pd	Cu																																																				
4		Ni																																																							
5		Sn																																																							

¹ This datasheet gives a basic overview of the multilayer ceramic capacitor as defined in the above TDK part number. A full specification (including part number construction, available capacitance ranges, packaging and caution notes) is available upon request. The information above is subject to change by TDK without any notice.